

Features and benefits:

- Proprietary 2.4 GHz wireless
 - Accuracy of $\pm 0.1\%$ FS
 - Environmentally sealed to IP67 or NEMA6
 - Stocked capacities up to 1000t
 - Industry leading wireless range up to 1000m or 3280ft
 - Internal antennae
 - ATEX & IECEx version for hazardous area zones 0, 1 & 2 available
 - Battery life of 1200hrs
 - Compact size
 - Remote On-Off from handheld display or software
 - Design validated by F.E.A.
-
- Bluetooth option is available and is supplied with a free HHP App for iOS and Android See page 21

The Straightpoint LoadSafe Compression Loadcell.

No longer hindered by troublesome and hard to maintain cables, large-scale projects can now be completed in a fraction of the time previously required.

Multiple compression load cells can all connect wirelessly to INSIGHT via a USB dongle, their iOS or Android app (if Bluetooth), or their SW-HHP wireless handheld display.

Maintenance and repair costs are all but eliminated due to the absence of cables and connectors.

The flexibility of the product opens the door to a large number of applications in the heavy lift, energy, defence, rigging, shipping, and general transportation sectors.

Two versions of the WNI are available:

- Long range 2.4GHz version providing industry leading wireless range to Crosby|Straightpoint's SW-HHP handheld or INSIGHT.
- Bluetooth output and can be connected to any smart phone running our free HHP app on iOS or Android, at ranges up to 100m or 328ft.

Connected to Crosby|Straightpoint's INSIGHT, the WNI load cell can be used to weigh and verify centre of gravity of large and heavy objects, which may not be evenly proportioned. The system will report weight on each individual load cell, total weight and C-of-G in an html report based on ISO19901.

Crosby|Straightpoint's LoadSafe is machined from high grade 17-4PH stainless steel, providing excellent strength and corrosion resistance, which makes them suitable for the most arduous industrial conditions.

Also available with hazardous area approval. Zones 0, 1 & 2



ATEX / IECEX
Ex ia II C T4 Ga

Certification numbers:

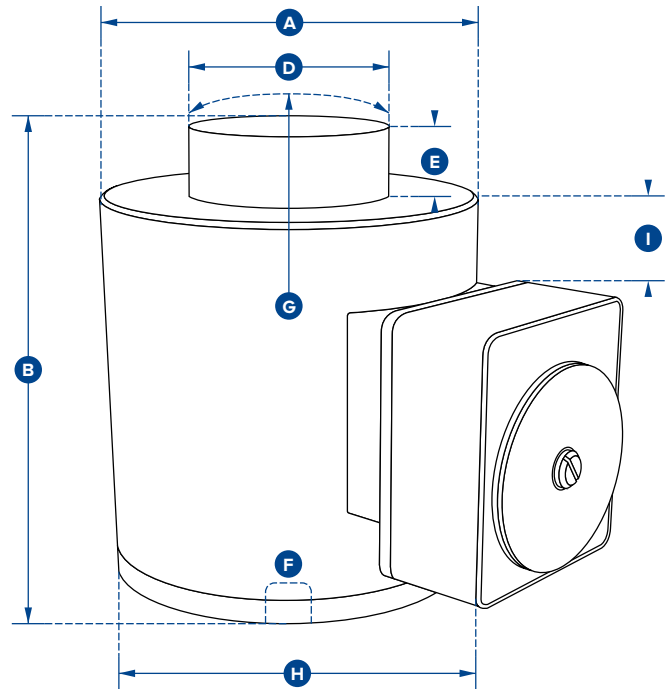
WNI ATEX

IECEX SIR 16.0041X / Sira 16ATEX2108X

SW-HHP ATEX

IECEX SIR 15.0072X / Sira 15ATEX2196X

Add 'ATEX' to the part number when ordering ATEX/IECEX products. For example: WNI5TC-ATEX



| Part Numbers | | | | | | | | | |
|----------------------------|--|------------------------|------------------------|------------------------|------------------------|------------------------|------------------------|------------------------|------------------------|
| SP | WNI5TC | WNI10TC | WNI25TC | WNI50TC | WNI100TC | WNI150TC | WNI300TC | WNI500TC | WNI1000TC |
| Crosby | 2789197 | 2789191 | 2789193 | 2789196 | 2789190 | 2789192 | 2789194 | 2789195 | 2789198 |
| Capacity | 5te 11000lb | 10te 22000lb | 25te 55000lb | 50te 110000lb | 100te 220000lb | 150te 330000 | 300te 660000lb | 500te 1100000lb | 1000te 2200000lb |
| Resolution | 0.001te 2lb | 0.002te 5lb | 0.005te 10lb | 0.01te 20lb | 0.05te 100lb | 0.05te 100lb | 0.1te 200lb | 0.2te 500lb | 0.5te 1000lb |
| Units | tonne lb | | | | | | | | |
| Weight | 6.2kg 13.64lb | 6.2kg 13.64lb | 6.2kg 13.64lb | 6.2kg 13.64lb | 15.5kg 34lb | 15.5kg 34lb | 65kg 143lb | 65kg 143lb | 172kg 379lb |
| Safety Factor | 3:1 | | | | | | | | |
| Battery Type | Load cell 4 x AA Alkaline | | | | | | | | |
| Battery Life | Load cell 1200 hours continuous (500hrs if Bluetooth) | | | | | | | | |
| Operating Temp | -20°C to +70°C or 4°F to 158°F | | | | | | | | |
| Accuracy | ±0.1% of full scale | | | | | | | | |
| Frequency | 2.4GHz | | | | | | | | |
| System Range | 1000 metres or 3280 feet (100 metres or 328 feet if Bluetooth) | | | | | | | | |
| Data Rate | 3Hz (configurable to 200Hz) | | | | | | | | |
| Protection | IP67 or NEMA6 | | | | | | | | |
| Dimension ØA | 100 3.94" | 100 3.94" | 100 3.94" | 100 3.94" | 152 5.98" | 152 5.98" | 185 7.28" | 185 7.28" | 362 14.25" |
| Dimension B | 127 5.00" | 127 5.00" | 127 5.00" | 127 5.00" | 184 7.24" | 184 7.24" | 300 11.81" | 300 11.81" | 310 12.20" |
| Dimension ØD | 59 2.32" | 59 2.32" | 59 2.32" | 59 2.32" | 80 3.15" | 80 3.15" | 155 6.10" | 155 6.10" | 270 10.63" |
| Dimension E | 16 0.63" | 16 0.63" | 16 0.63" | 16 0.51" | 26 1.02" | 26 1.02" | 27.5 1.08" | 27.5 1.08" | 40 1.57" |
| Dimension F | M18 x 2.5 M18 x 2.5 | M18 x 2.5 M18 x 2.5 | M18 x 2.5 M18 x 2.5 | M20 x 2.5 M20 x 2.5 | M20 x 2.5 M20 x 2.5 | M20 x 2.5 M20 x 2.5 | M20 x 2.5 M20 x 2.5 | M20 x 2.5 M20 x 2.5 | M30 x 3.5 M30 x 3.5 |
| Dimension G | 152 5.98" | 152 5.98" | 152 5.98" | 152 5.98" | 432 17.01" | 432 17.01" | 432 17.01" | 432 17.01" | 950 37.40" |
| Dimension H | 158 6.22" | 158 6.22" | 158 6.22" | 158 6.22" | 208 8.19" | 208 8.19" | 241 9.49" | 241 9.49" | 422 16.61" |
| Dimension I | 22 0.87" | 22 0.87" | 22 0.87" | 22 0.87" | 33 1.30" | 33 1.30" | 49 1.93" | 49 1.93" | 102 4.02" |
| Load cell top to SA700 top | 0.87" | 0.87" | 0.87" | 0.87" | 1.30" | 1.30" | 1.93" | 1.93" | 4.02" |