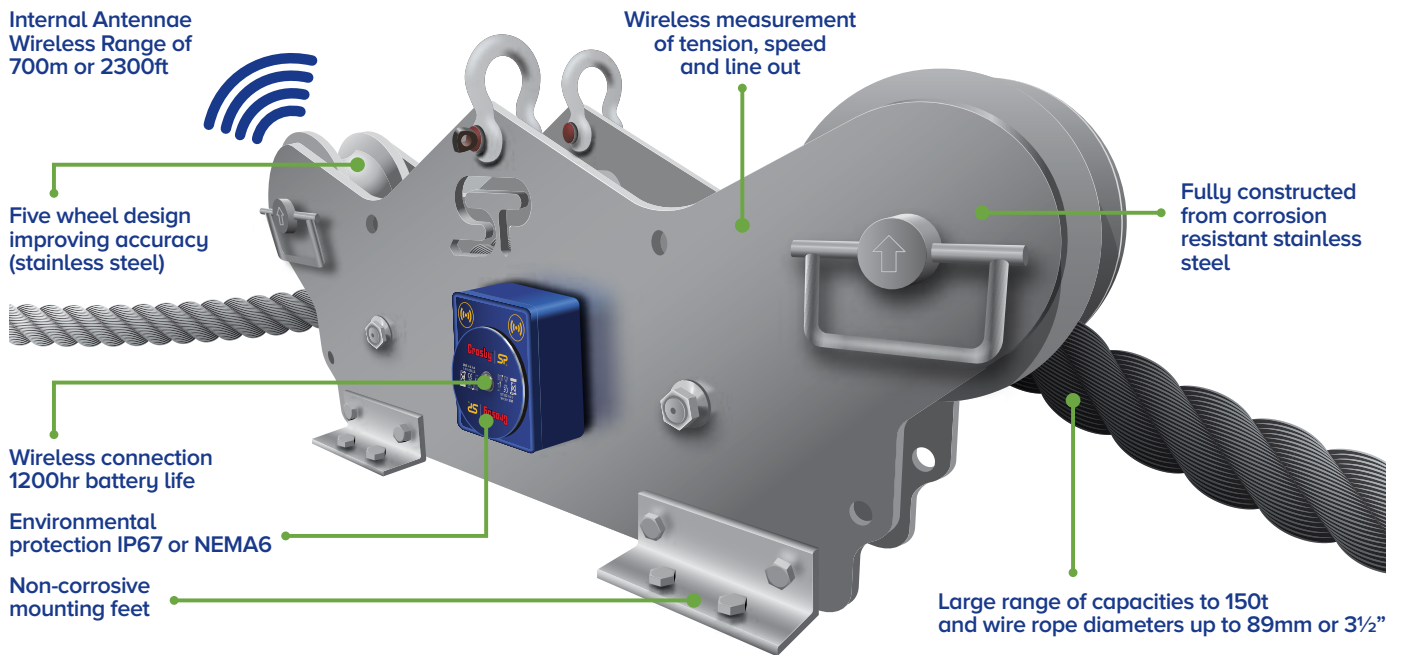


Running Line Dynamometer



The TIMH range is a Wireless Running Line Tensiometer or RLTM built with dockside, marine, offshore, towage and salvage applications in mind. It is particularly useful when there is no anchor or dead end on the line to rig an SP Radiolink or Loadlink digital dynamometer. It measures tension force at speeds up to 20m/min or 65ft/min.

Two versions of the TIMH are available:

- Long range 2.4GHz version providing industry leading wireless range of 700m or 2300ft to SP's SW-HHP handheld or software options.
- Bluetooth output and can be connected to any smart phone running SP's free HHP app on iOS or Android at ranges up to 100m or 328ft.

The TIMH is constructed from marine grade stainless steel and is suitable for many wire rope configurations up to 150t and will, as an option, calculate lineout and speed. The TIMH has several mounting points featured in its unique design but if other mounting options are required, Straightpoint can provide a custom engineered solution specific to your application.

Available as a wireless or cabled system, utilising Straightpoint's HHP range of handheld displays or SW-MWLC software, this impressive Running Line Dynamometer or RLTM is available to ship from stock, to anywhere in the world, within days.

Features and benefits:

- Measure tension, line speed and distance
- Five-wheel design improving accuracy
- Cabled or wireless options
- Fully constructed from corrosion-resistant stainless steel
- IP67 or NEMA6 Loadpin
- Industry leading battery life of 1200hrs (wireless)
- Maintenance free heavy duty bushes
- Large range of capacities to 150t and wire rope diameters up to 89mm or 3½"
- Options for lineout and speed available
- Software available to data log and monitor or analogue outputs
- Design validated by F.E.A.

- Bluetooth option is available and is supplied with a free HHP App for iOS and Android
See page 21

Also available with hazardous area approval. Zones 0, 1 & 2



ATEX / IECEx
Ex ia II C T4 Ga

Certification numbers:

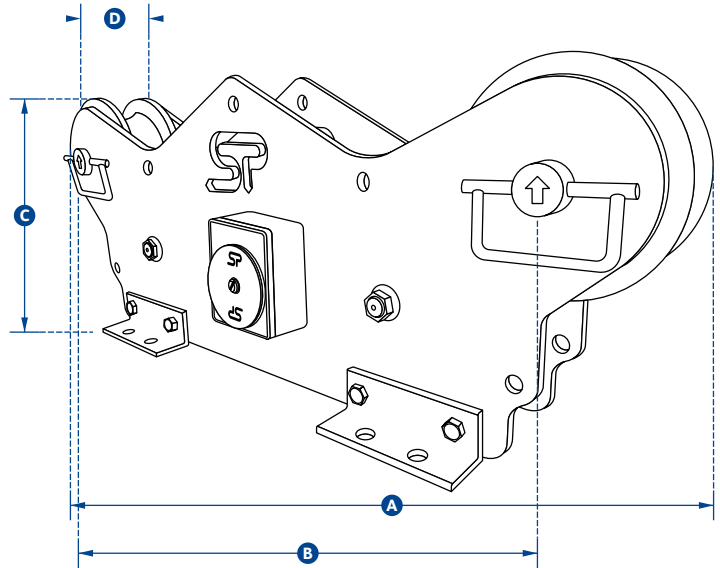
TIMH ATEX

IECEX SIR 16.0041X / Sira 16ATEX2108X

SW-HHP ATEX

IECEX SIR 15.0072X / Sira 15ATEX2196X

**Add 'ATEX' to the part number
when ordering ATEX/IECEX products.
For example: TIMH10T-ATEX**



Part Numbers	SP						
SP	MTIMH10TRD	TIMH10TRD	TIMH25TRD	TIMH56TRD	TIMH80TRD	TIMH150TRD	CableSafe
Crosby	2789054	2789136	2789139	2789144	2789146	2789270	2789219
Capacity	10te 22000lb	10te 22000lb	25te 55000lb	56te 123200lb	80te 176000lb	150te 330000lb	10te 22000lb
Resolution	0.01te 20lb	0.01te 20lb	0.02te 50lb	0.05te 100lb	0.1te 200lb	0.2te 500lb	0.01te 20lb
Wire Rope Ø	4-19mm 5/32" - 3/4"	13-19mm 1/2" - 3/4"	16-26mm 5/8" - 1"	28-38mm 1 1/8" - 1 1/2"	40-52mm 1 5/8" - 2"	52-89mm 2" - 3 1/2"	4-19mm 5/32" - 3/4"
Weight	9kg 20lb	90kg 198lb	86kg 190lb	81kg 179lb	76kg 168lb	230kg 506lb	4.5kg 10lb
Battery Type	4 x AA Alkaline						
Battery Life	Wireless version 1200hrs continuous						500hrs
Operating Temp	-10°C to +50°C 14°F to 122°F						
Accuracy	±2% of full scale						
Frequency	2.4 GHz						
System Range	1000 metres 3280 feet						Bluetooth 100m Bluetooth 328ft
Data Rate	3 updates per second						
Protection	IP67 NEMA6						
Maximum Speed	50m per minute 164ft per minute	20m per minute 65ft per minute					50m per minute 164ft per minute
Line out and speed	via SW-MWLC software						N/A
Dimension A	422mm 16.62"	880mm 34.65"				1250mm 49.21"	422mm 16.61"
Dimension B	330mm 13"	700mm 27.55"				1050mm 41.33"	328mm 12.91"
Dimension C	152mm 5.98"	330mm 12.99"				416mm 16.37"	152mm 5.98"
Dimension D	36mm 1.4"	110mm 4.33"				153mm 6.02"	50.5mm 1.98"